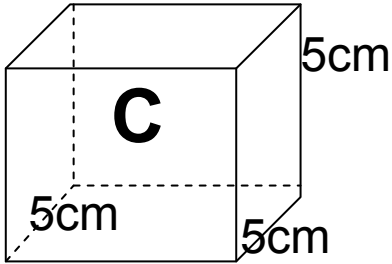
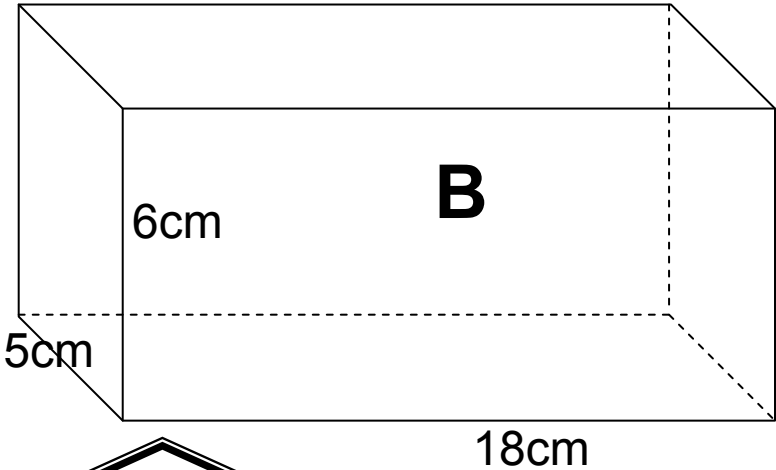
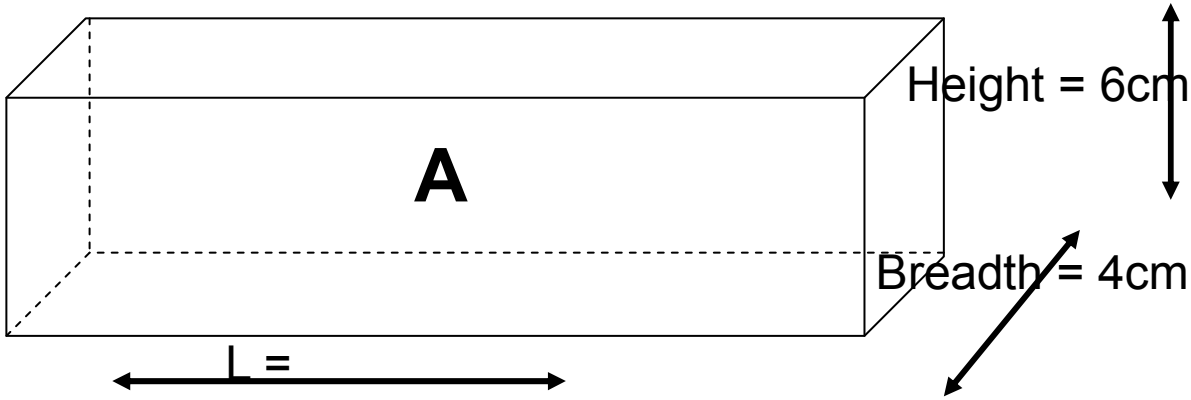


L.O. To work out the surface area of 3-D boxes.



What is the formula?

